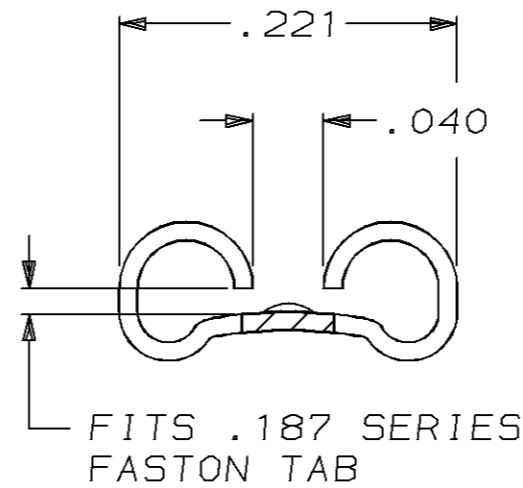
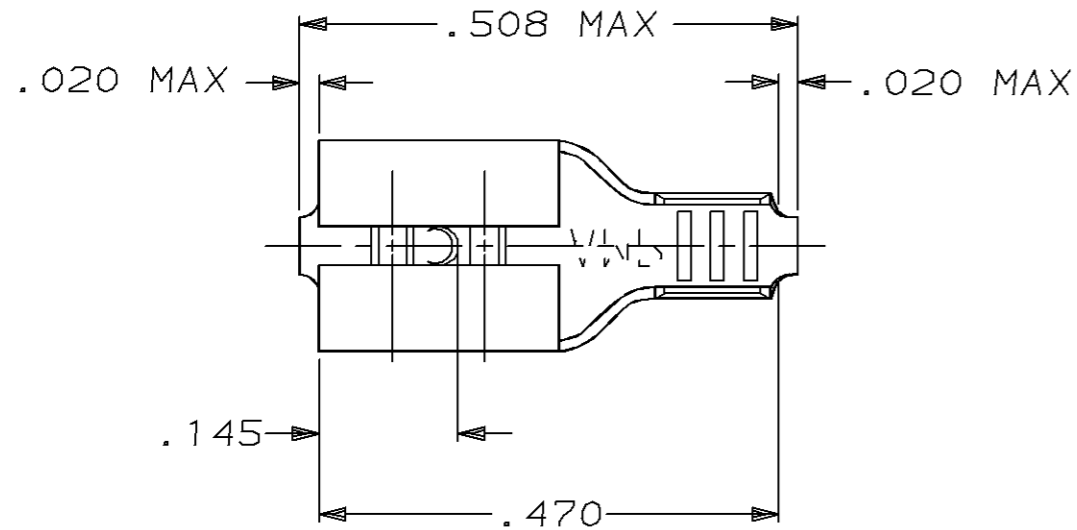


THIS DRAWING IS UNPUBLISHED. RELEASED FOR PUBLICATION, 19 .
 © COPYRIGHT 19 BY AMP INCORPORATED. ALL INTERNATIONAL RIGHTS RESERVED.

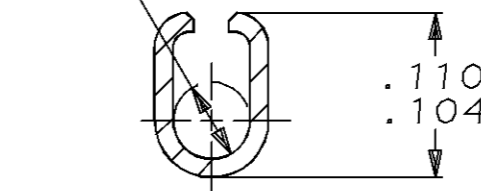
| | | | | | | | | |
|-----|------|---|---|-----------|-----|-------------|----------|-------|
| LOC | DIST | P | F | REVISIONS | | | | |
| AF | 50 | | | ZONE | LTR | DESCRIPTION | DATE | APPD |
| | | | | | 0 | DRAWN | 11/12/96 | JR/PD |



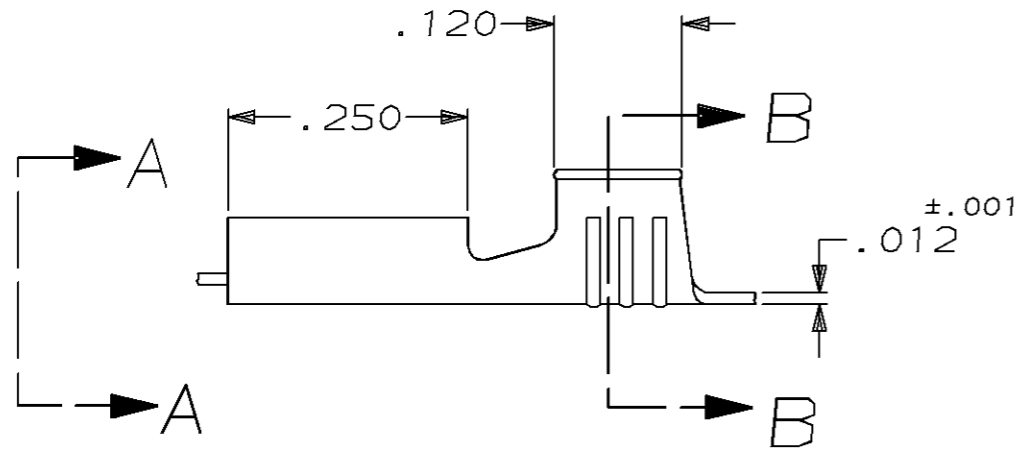
- 1 CONTINUOUS STRIP ON REELS
- 2 WIRE SIZE IS #20-#16 AWG.
- 3 MATING TAB THK IS .020±.001.

VIEW A-A
SCALE 8:1

.055 DIA PIN MUST ENTER
USE .090 F CRIMPER



SECTION B-B



| | |
|-----------|---------|
| 42373-2 | 42638-2 |
| STRIP NO. | PART NO |

| | | |
|--|-----------------------------|--|
| DO NOT SCALE PRINT, UNLESS SPECIFIED DIMENSIONS IN mm [INCHES] TOLERANCES ON: 2 PLC DEC ± - 3 PLC DEC ± .015 ANGLES ± - | DR 11/12/96 JR RUTH | AMP INCORPORATED Harrisburg, Pa. 17105 NAME RECEPTACLE, FASTON™ .187 SERIES |
| | CHK 11/12/96 MS FEHER | |
| | APPD 11/12/96 P DESANTIS | |
| | APPD 11/12/96 D BRATINA | |
| MATERIAL #4 BRASS | PRODUCT SPEC - | SIZE B |
| FINISH TIN | APPLICATION SPEC - | CAGE CODE 00779 |
| | WEIGHT - | DRAWING NO 42638 |
| | | SCALE 5:1 |
| | | SHEET 1 OF 1 |